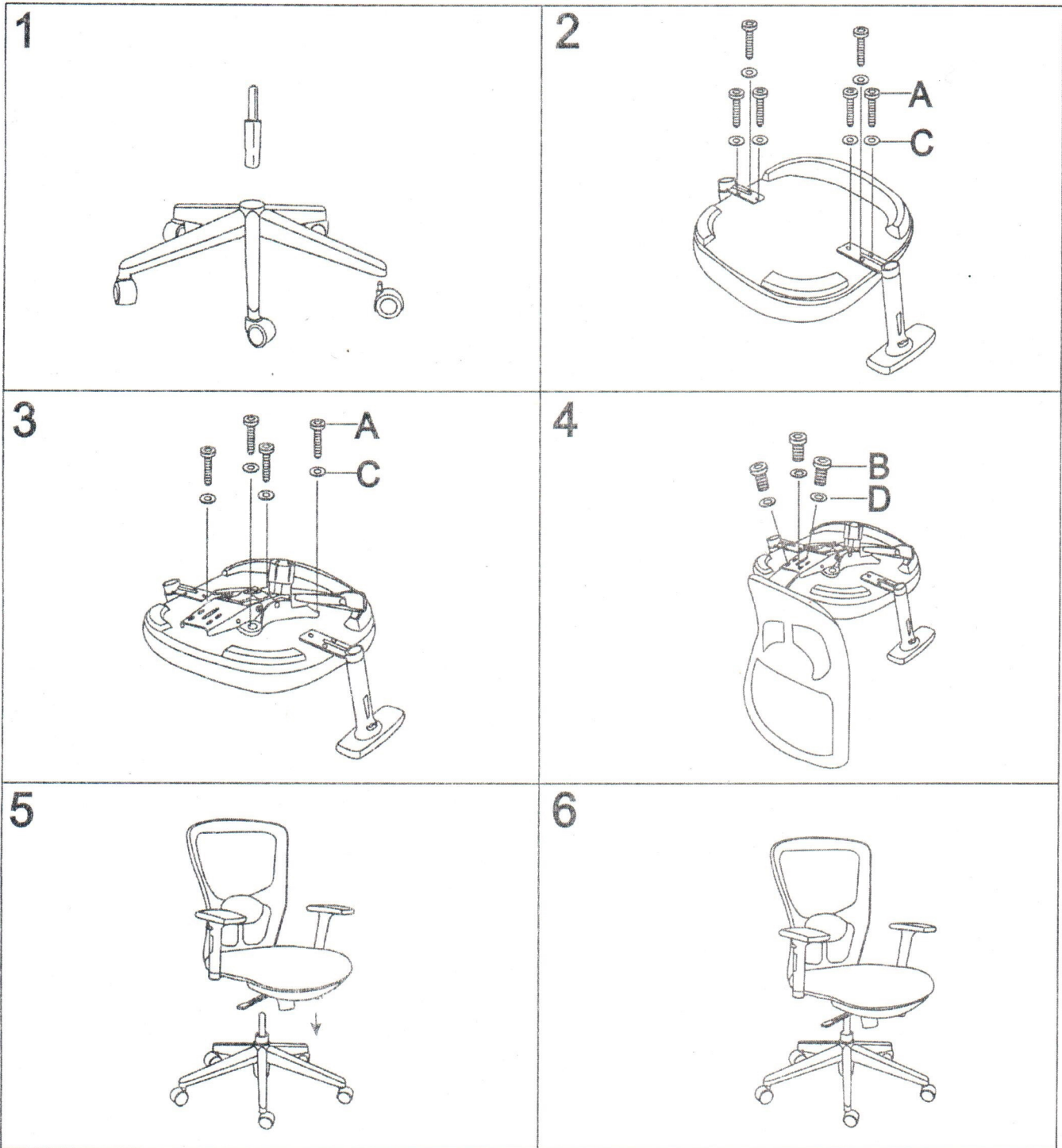

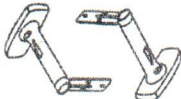


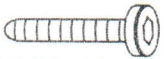








# Assembly instruction sheet



	1		2		1		1		A
								M6*25 X 10	
	1		1		5		C		
							D		B
							10	M8*20 X 3	
							3		