
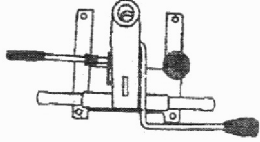
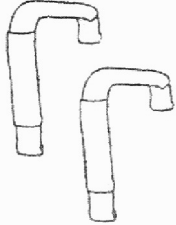

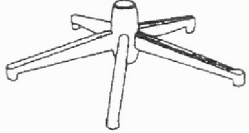

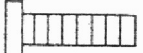
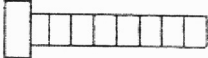
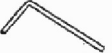


INSTRUCCIONES DE MONTAJE ASSEMBLY INSTRUCTIONS

(1) *1	(2) *1	(3) * (L) * (R)
		
(4) *1	(5) *1	(6) *1
		
(A) *4		M8*16
(B) *4		M8*50
(C) *1PCS		ALLEN

