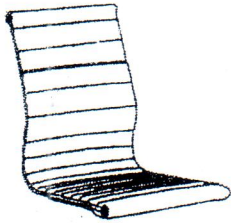


Hardware

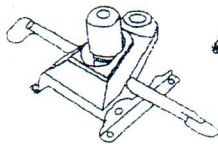


A 2x
B 2x
C 4x
D 2x

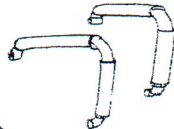
Components



F
1x



G
1x



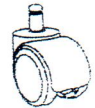
H
2x



I
1x

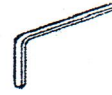


J
1x



K
5x

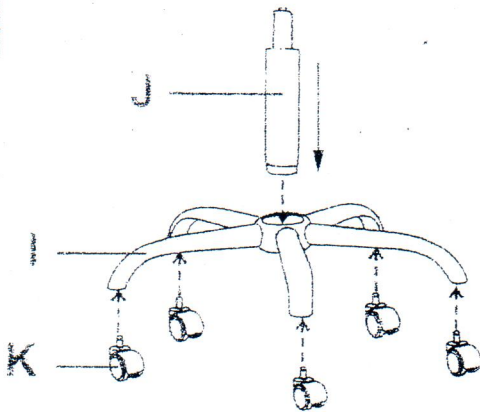
Tools Required



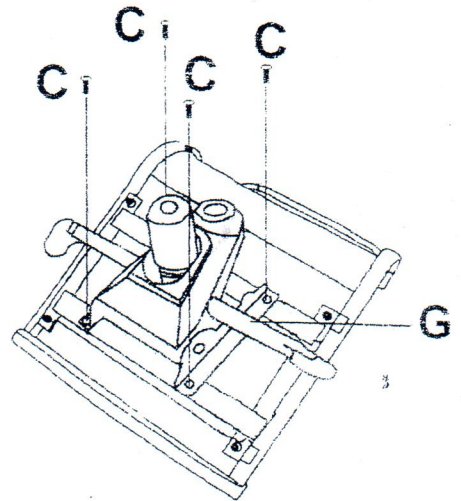
E
1x

Assembly Instructions

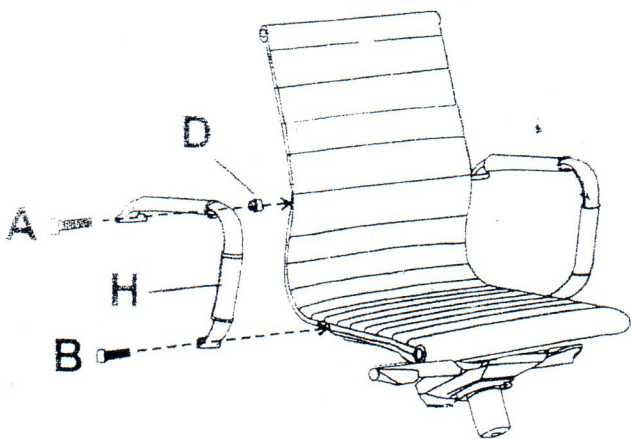
1



2



3



2X

4

