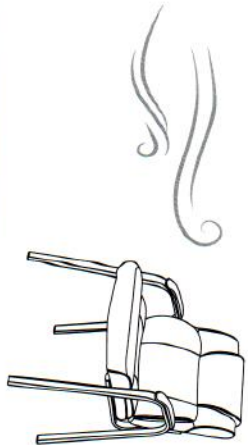


To deodorize the leather leave the chair in a shady outside for 1-2 days.



For longer use Re-tighten bolts every 6 months by using the enclosed allen-key. *Using an electric drill can damage the chair. Please re-tighten bolts manually.



Safety Information



Sit in the center of the chair, with your back to the backrest!



Do not sit at the front edge of the chair



Do not stand on the chair



Do not use the chair with more than one person



Do not push the chair around when a person is sitting in it



Do not push down on the backrest when a person is reclined

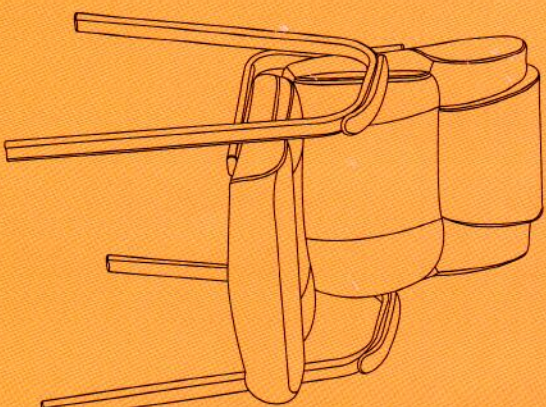


Do not place all your weight on only the backrest

INSTRUCTION MANUAL

Model: C-6106

HJ-Customer-Service@outlook.com
(909)637-7665 | (909)637-7593



INSTRUCTION MANUAL

C-6106

HJ-Customer-Service@outlook.com
(909)637-7665 | (909)637-7593
EST 9:00AM--17:00PM

Package List



(A)*1 Armrest(L)



(B)*1 Armrest(R)



(C)*1 Backrest



(D)*1 Seat Cushion



(E)*4 Bolts



Max25mm
(F)*4 Bolts



(G)*4 Washer

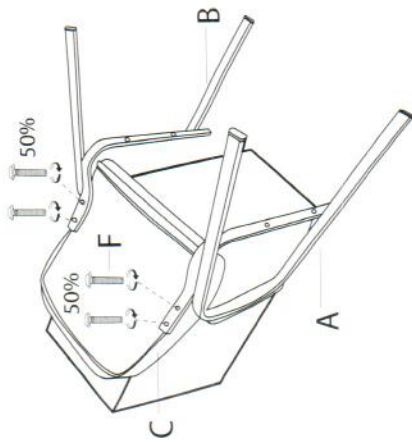


(H)*4 Caps

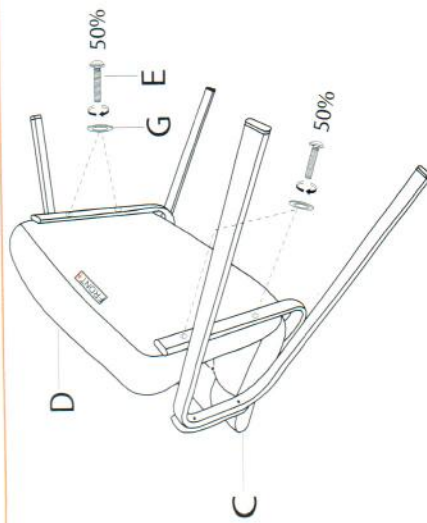


(I)*1 Wrench

Assembly Instruction

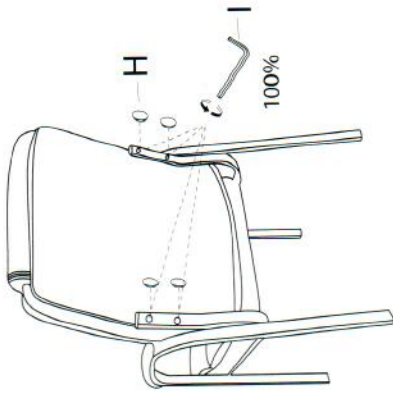


1 Using Wrench (I), install Right Armrest(B)*1(R) to the right side of the Backrest (C) with Bolts (F)*2, and install Left Armrest(A)*1(L) to the left side of it with Bolts (F)*2.
Note: Bolts are only tightened 50%.

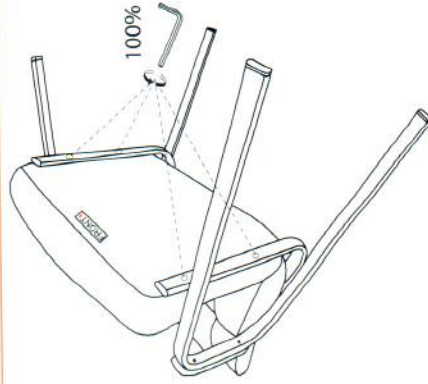


2 Put Bolts (E)*4 into the Washer (G)*4. Using Wrench (I), attach Seat Cushion (D) to both sides of the installed Armrests (A&B) with Bolts (E)*4.
Note: Bolts are only tightened 50%.

The Seat Cushion is marked with "FRONT".
 Please make sure the installation direction is correct.



3 100% tighten the Bolts (F)*4 on both sides of the Backrest (C).
 Then press Caps (H)*4 into Armrests holes to cover the Bolts.



4 100% tighten the Bolts (E)*4 on both sides of the Seat Cushion (D).

CAUTION:

- * Before using the chair, check to ensure that all bolts are fully tightened.
- * Lubricate all parts and tighten all bolts every 6 months or whenever needed.