

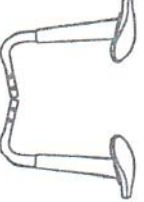
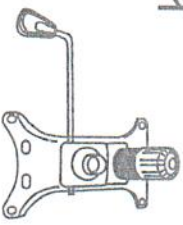

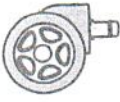


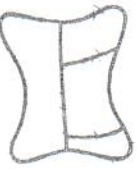







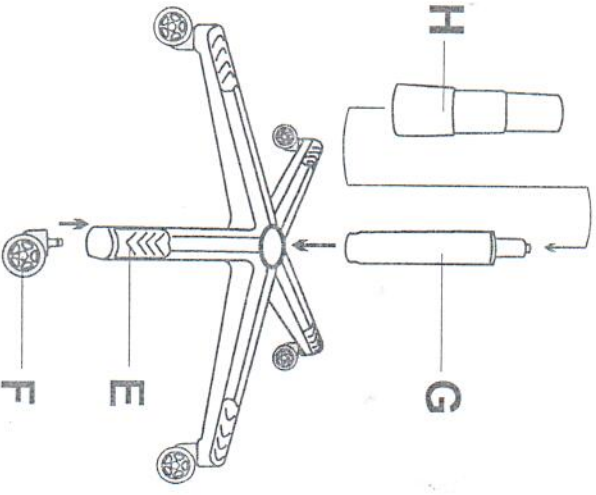


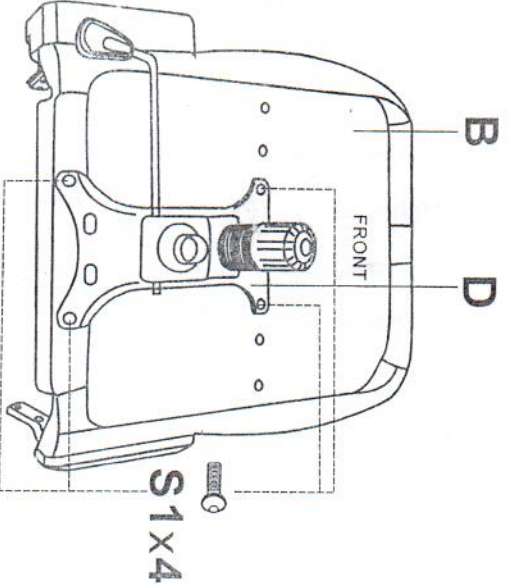
# ASSEMBLY INSTRUCTION

<b>Ax1</b> 	<b>Bx1</b> 
<b>C (L&amp;R)x1</b> 	<b>Dx1</b> 
<b>Ex1</b> 	<b>Fx5</b> 
<b>Gx1</b> 	<b>Hx1</b> 
<b>Ix1</b> 	<b>Jx1</b> 
<b>Kx1</b> 	<b>Lx1</b> 
<b>Mx4</b> 	<b>S1x12</b>  M8*20mm
<b>S2x2</b>  M5*8mm	<b>WRENCH for S1, S2</b> 

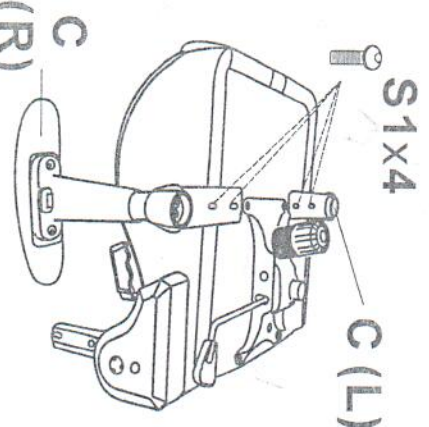
**1**



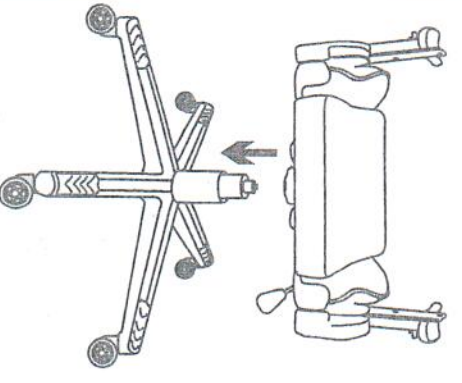
**2**



**3**



**4**



**5**

