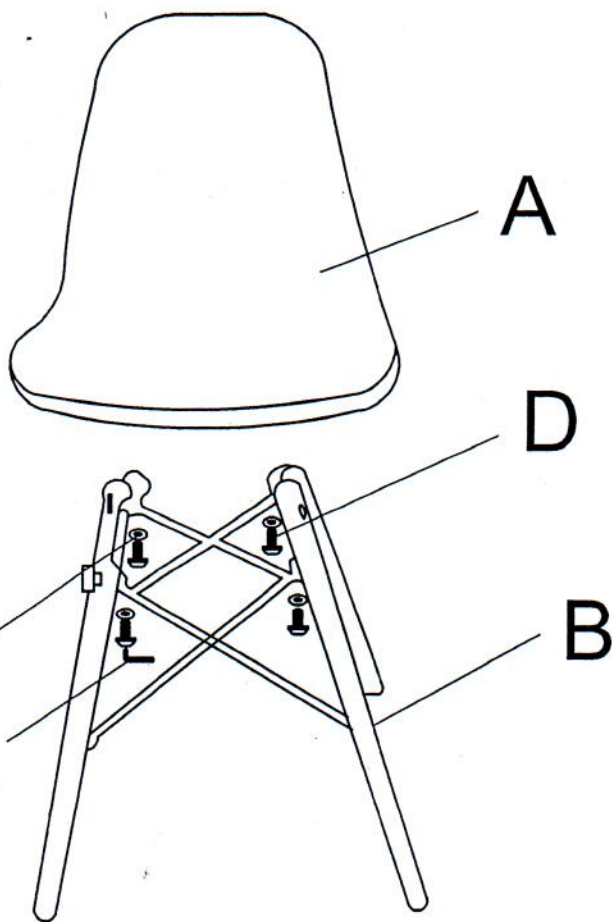
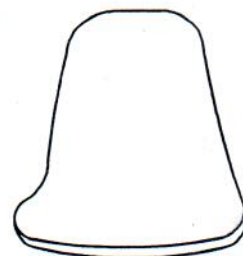


Assembly Instruction

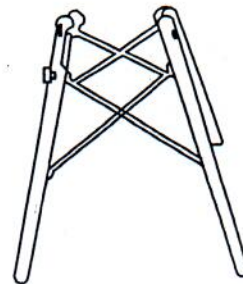


A



1PC

B



1PC

C



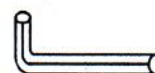
4PCS

D



4PCS

E



1PCS